



CREST
ULTRASONICS

HAL 11, 15 OR 20W

CREST HOSPITAL HALW CONSOLE SERIES • Wash

APPLICATION:

Crest HALW Series Ultrasonic Cleaning Systems are designed to thoroughly wash instruments prior to final disinfection and sterilization in order to ensure total removal of tissue, blood and other contaminants. Thoroughly cleaning instruments between uses helps to keep them functioning properly and assure surgeon efficiency. The HAL Series cleaners can be used in high volume areas either in the O.R. or Central Supply to process instruments prior to final disinfection and sterilization as required.

FEATURES:

Optimum Ultrasonic Cleaning Power is assured by constant power output generators operating at 40 kHz. Vibra-bar transducer modules are bonded to the wash tank and provide maximum transmission of energy to clean the instruments.

Automatic Lid and Tray Elevator improves safety and increases the ease of loading instruments.

E-Z Load Tray Elevator is positioned at a convenient working height and oriented laterally to ease the loading of heavy trays of instruments.

Illuminated Main Controls include power On/Off, automatic fill, drain alert with cycle counter, adjustable wash cycle timer, drain actuator, lid actuator and emergency stop.

Large Capacity Process Tanks (11, 15 or 20 gallon) will accept a large variety of instrument trays. One instrument tray included with each unit.

Large Load Capacity optimizes throughput with 22 pounds of instruments in 11 or 15 gallon models and 35 pounds in the 20 gallon model.

Automatic Push Button Ultrasonic Drain with drain indicator light and built-in counter to provide tracking for number of wash cycles, alerts operator when ultrasonic tank should be drained.

Toe Touch Control lowers the instruments into the cleaning solution, closes the lid and starts processing. When processed the lid is automatically raised along with the instruments to the unload position.

Safety Interlocks and Controls are provided to assure complete operator safety.



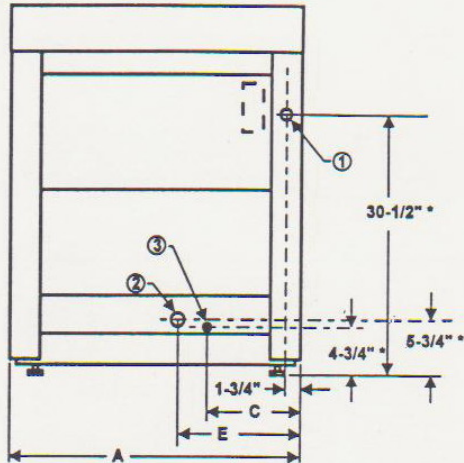
Front and Side Service Access Doors are scratch and dent resistant as well as sound dampening and provide for ease of maintenance.

OPTIONS:

Electrical Voltage supplied for 240 volt operation rather than 208 volt standard voltage. (Specify voltage required)

ARCHITECTURAL SPECIFICATIONS:

Ultrasonic cleaning system shall be a freestanding console type constructed of stainless steel. Unit is to incorporate a wash tank and a rinse tank with automatic lids and load elevators. The unit is to include ultrasonic generators with slide out chassis for ease in service. The generators are to provide constant output power to assure constant and consistent energy levels in the wash process. Energy output is to be in the 40 kHz range and complemented with complex resonance frequencies to assure zero gap cleaning efficiency. Wash unit to be Crest Model HAL11W (11 gal. tank), HAL15W (15 gal. tank) or HAL20W (20 gal. tank).



REAR VIEW

MODEL	DIMENSION (INCHES)					
	A	B	C	D	E	F
HAL11W	30	-	9	-	12	31
HAL15W	30	-	9	-	12	33
HAL20W	36	-	9	-	12	35

NOTES

1. 208V/60HZ/3-1PH
2. Drain: 1-1/4" CPVC Male Slip
3. Optional Distilled Water Fill (100/120°F): CPVC Male Slip
4. Hot Water Fill (100/120°F): 1/2" CPVC Male Slip

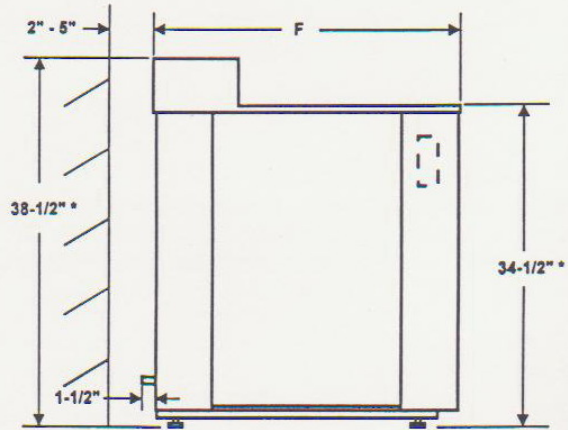
Electrical connections can be performed from front of unit. All plumbing and electrical connections to be in accordance with local codes. 3 Ph requires 5 wires including Neutral and Ground, 1 Ph requires 4 wires.

IMPORTANT

Equipment distance from rear wall is dependent on location of utilities connections.

MAXIMUM TRAY SIZE

- HAL11 20-1/2" x 10-1/2" x 3-1/2"
- HAL15 20-1/2" x 13" x 3-1/2"
- HAL20 24" x 15" x 3-1/2"



SIDE VIEW

*Add 2 inches for casters if applicable

TECHNICAL DATA

MODEL	POWER REQUIREMENTS - Amp				SONIC POWER WATTS	SHIP WEIGHT POUNDS	FLUID CAP. GAL.	HEAT DISS. BTU	TRAY SIZE* LxWxD
	208V		240V						
	1PH	3PH	1PH	3PH					
HAL11W	15	14	14	14	750	425	11	210	20x10-1/2x3-1/2
HAL15W	15	14	16	16	1,000	450	15	225	20x13x3-1/2
HAL20W	26	22	22	22	1,500	500	20	275	24x13x3-1/2



Scotch Road, Mercer County Airport
 P.O. Box 7266, Trenton, NJ USA
 609-883-4000
 Fax: 609-530-0923